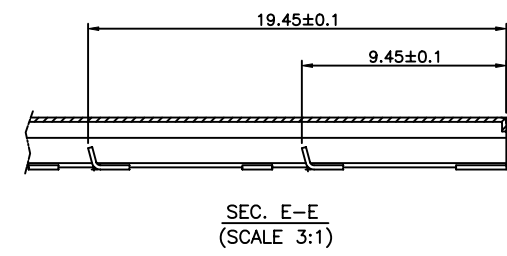
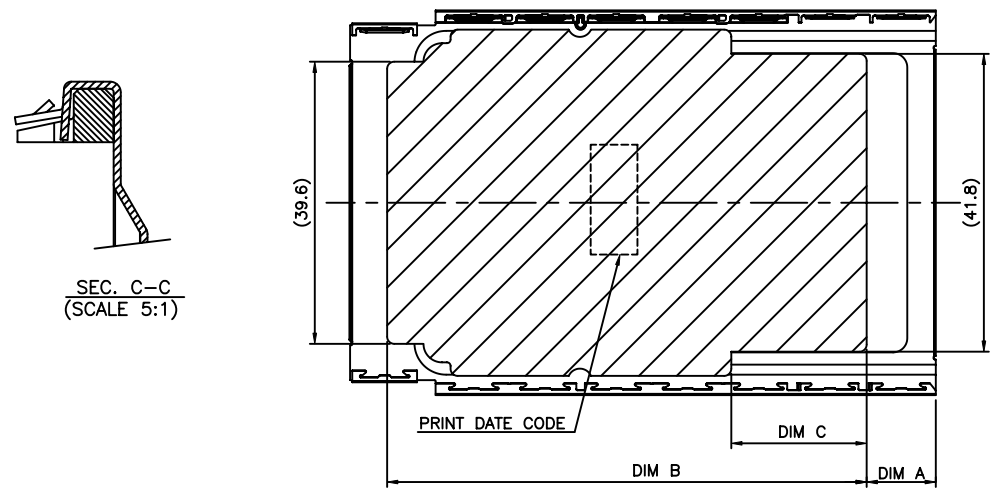
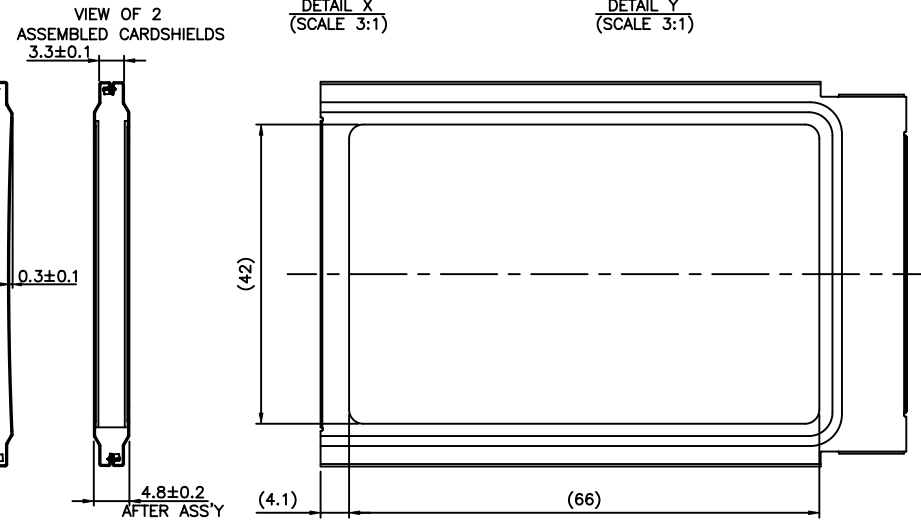
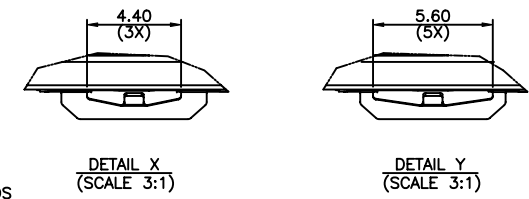
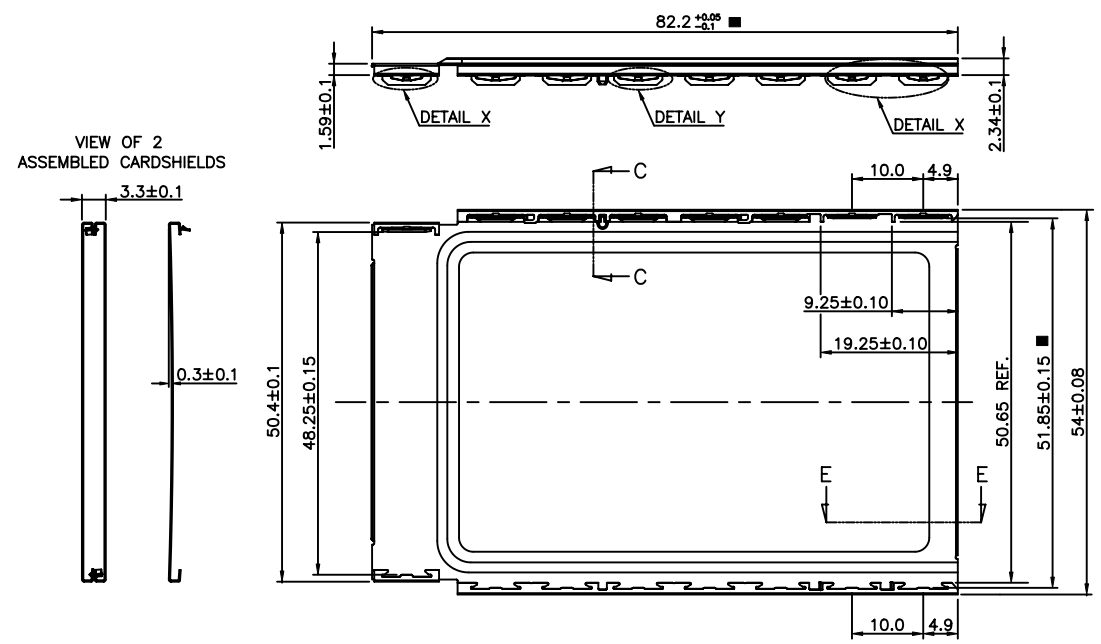


Tous droits strictement réservés. Reproduction ou communication a des tiers int sous quelque forme que ce soit sans autorisation écrite du propriétaire. Propriété de c BERG ELECTRONICS. Droits de reproduction BERG ELECTRONICS by

All rights strictly reserved. Reproduction or issue to third parties in any for whatever is not permitted without written authority from the proprietor. Property of c BERG ELECTRONICS. Copyright BERG ELECTRONICS by

PRODUCT NUMBER	DIM A	DIM B	DIM C
57924-001	9.7±1.0	67.3 REF	19.0 REF
57924-002	1.4±1.0	75.6 REF	27.3 REF



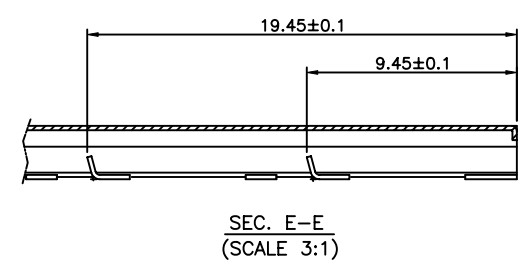
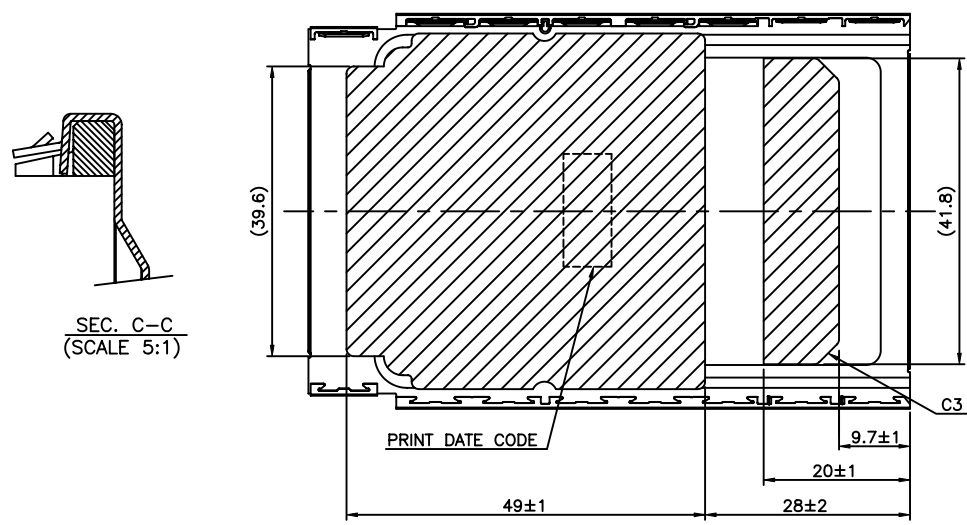
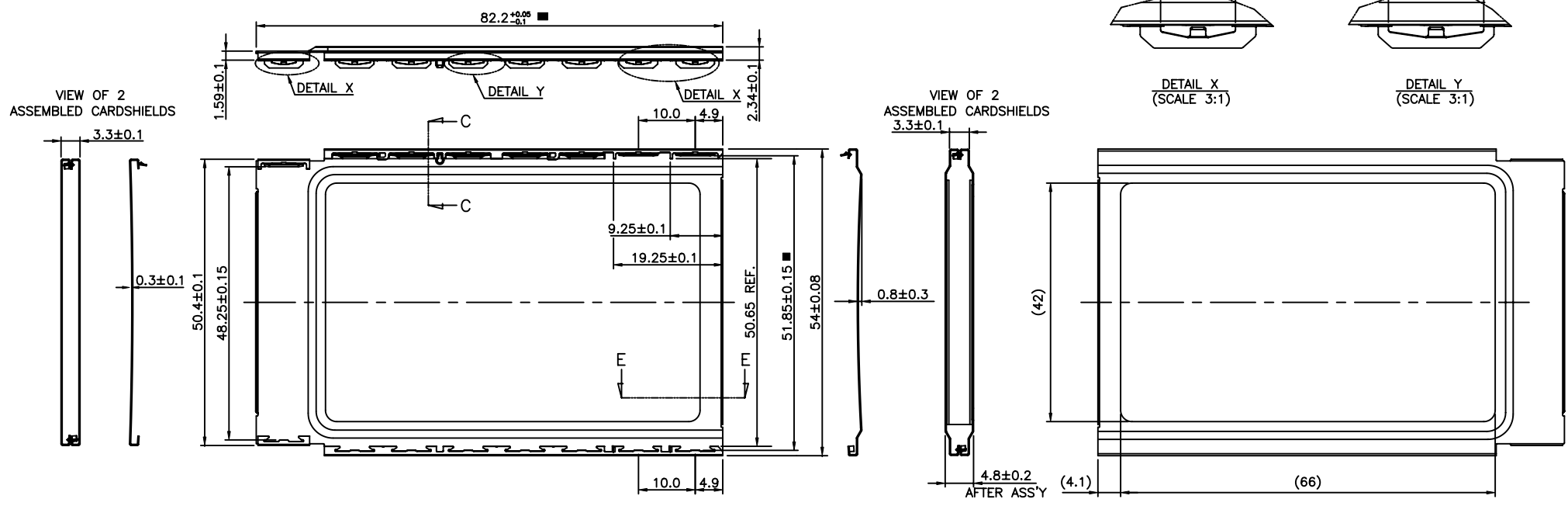
NOTE: 1. ■ : CPK MARK >= 1.5

mat'l code				tolerance unless otherwise specified				CUSTOMER COPY		 www.fciconnect.com			
rev.	ecn no.	dr	date	linear	X. ±0.3		projection	title		ROCARD SHIELD			
A	T20200	WL	06/26/02		.X ±0.13			product family		PCMCA		code	
B	T20226	WL	08/13/02		.XX ±0.05			size		dwg no.		sheet	
C	T03-0052	WL	02/11/03	angles	±2°		 scale	A3		57924		1 OF 4	
D	T04-0106	WL	03/08/04		dr	WENDY CHEN		08/01/01	unit		mm/inch		
					enr	YUWEN CHU		08/01/01	size		A3		
				chr	YUWEN CHU	08/01/01	scale		A3				
				appd	JENN TSAO	08/01/01							
sheet	revision	D	D	C	C								
index	sheet	1	2	3	4								

Tous droits strictement réservés. Reproduction ou communication à des tiers sans aucune autorisation écrite du propriétaire.
 Property of c BERG ELECTRONICS.
 Copyright BERG ELECTRONICS by

All rights strictly reserved. Reproduction or issue to third parties in any form or by any means, without written authority from the proprietor.
 Property of c BERG ELECTRONICS.
 Copyright BERG ELECTRONICS by

PRODUCT NUMBER
 57924-001A



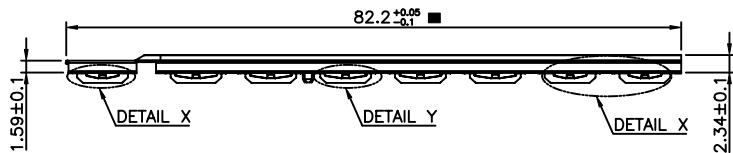
NOTE: 1. ■ : CPK MARK >= 1.5

mat'l code				tolerance unless otherwise specified				CUSTOMER COPY		 www.fciconnect.com	
rev.	ecn no.	dr	date	linear	X. ±0.3		projection		title		
D					.X ±0.13				ROCARD SHIELD		
				angles	.XX ±0.05			product family		code	
					±2°			PCMCA			
				dr	WENDY CHEN	02/20/02	unit	size		dwg no.	
				enr	YUWEN CHU	02/20/02	mm/inch	A3		57924	
				chr	YUWEN CHU	02/20/02	scale			sheet	
				appd	JENN TSAO	02/20/02				2 OF	
sheet index	revision	sheet									

Tous droits strictement réservés. Reproduction ou communication a des tiers int sous quelque forme que ce soit sans autorisation écrite du propriétaire. Property of c BERG ELECTRONICS. Droits de reproduction BERG ELECTRONICS by

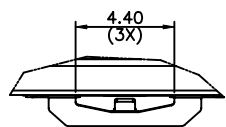
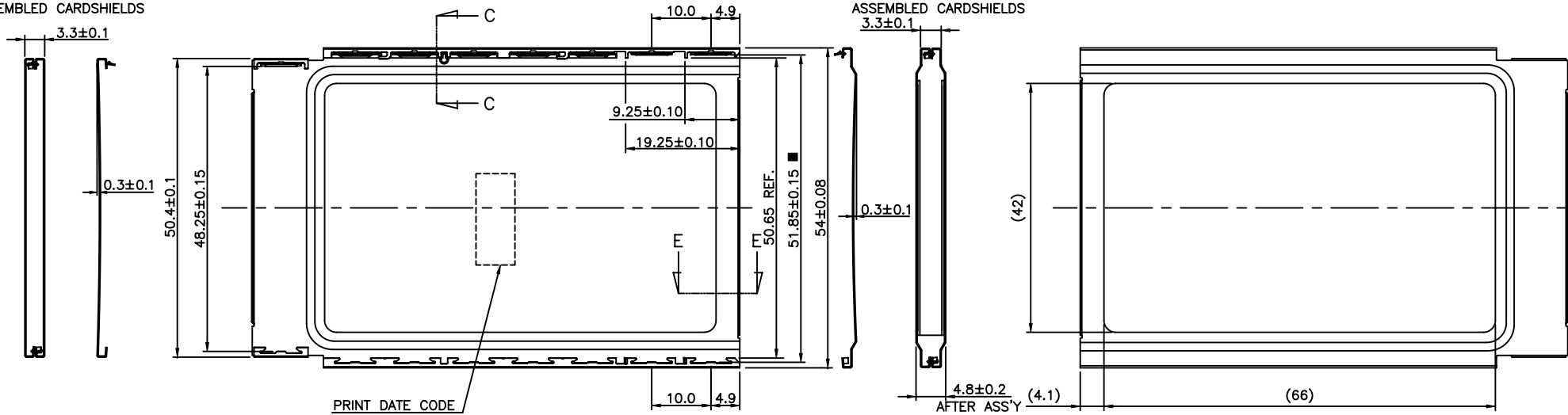
All rights strictly reserved. Reproduction or issue to third parties in any for whatever is not permitted without written authority from the proprietor. Copyright BERG ELECTRONICS by

PRODUCT NUMBER
57924-003

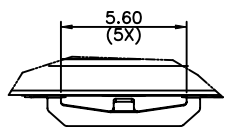


VIEW OF 2
ASSEMBLED CARDSHIELDS

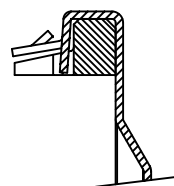
VIEW OF 2
ASSEMBLED CARDSHIELDS



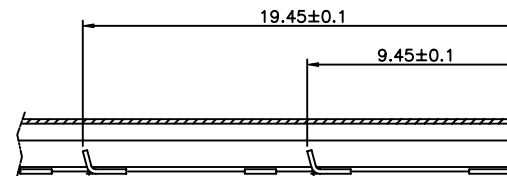
DETAIL X
(SCALE 3:1)



DETAIL Y
(SCALE 3:1)



SEC. C-C
(SCALE 5:1)



SEC. E-E
(SCALE 3:1)

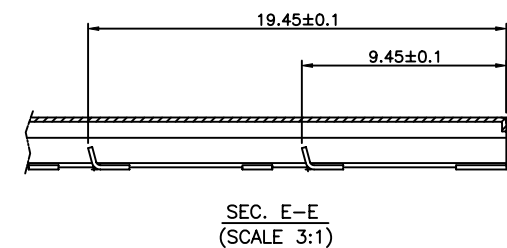
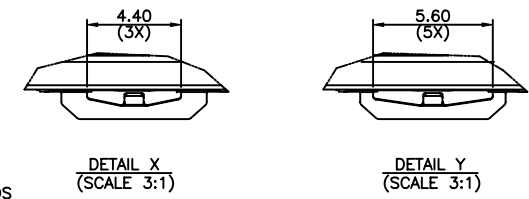
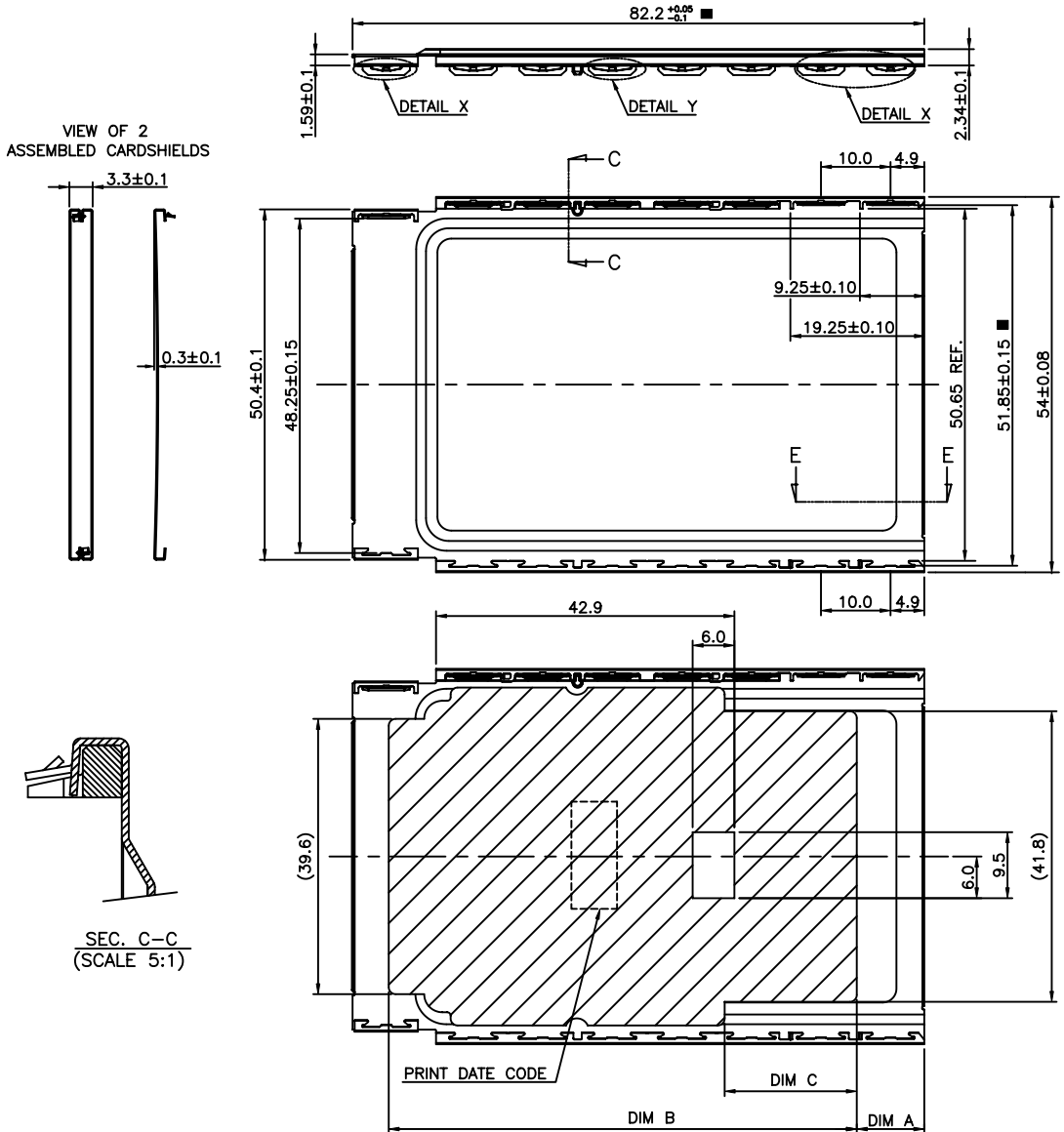
NOTE: 1. ■ : CPK MARK ≥ 1.5

mat'l code				tolerance unless otherwise specified				CUSTOMER COPY		 www.fciconnect.com	
rev.	ecn	no.	dr	date	linear	X. ±0.3	projection	title			
C						.X ±0.13		ROCARD SHIELD			
					angles	.XX±0.05		product family		code	
					dr	WENDY CHEN 05/20/02	unit	PCMCIA			
					enr	SUNNY LIN 05/20/02	mm/inch	size	dwg no.		
					chr	SUNNY LIN 05/20/02	scale	A3	57924		
					appd	JENN TSAO 05/20/02			sheet		
sheet	revision										3 OF
index	sheet										

PRODUCT NUMBER	DIM A	DIM B	DIM C
57924-004	9.7±1.0	67.3 REF	19.0 REF

Tous droits strictement réservés. Reproduction ou communication a des tiers int sous quelque forme que ce soit sans autorisation écrite du propriétaire. Propriété de c BERG ELECTRONICS. Droits de reproduction BERG ELECTRONICS by

All rights strictly reserved. Reproduction or issue to third parties in any for whatever is not permitted without written authority from the proprietor. Property of c BERG ELECTRONICS. Copyright BERG ELECTRONICS by



NOTE: 1. ■ : CPK MARK ≥ 1.5

mat'l code		tolerance unless otherwise specified		CUSTOMER COPY		 www.fciconnect.com	
rev.	ecn no.	dr	date	linear	X. ±0.3	projection	title
C					.X ±0.13		ROCARD SHIELD
				angles	.XX±0.05		product family
				dr	WENDY CHEN 01/16/03	unit	PCMCIA
				enr	DAVID TENG 01/16/03	mm/inch	size
				chr	TONY CHIEN 01/16/03	scale	dwg no.
				appd	JENN TSAO 01/16/03		57924
sheet	revision						sheet
index	sheet						4 OF